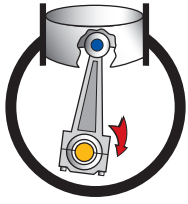


ARTICULATING PISTON



TASKAIR™ (TA) SERIES

1/4, 1/3, 1/2, 3/4 & 1.0 HP

MODELS

TA-3101-DC (270024)
TA-4101-DC (270025)
TA-4101-DC (270047)
TA-5102-DC (270058)
TA-3051 (270002)
TA-3052 (270006)
TA-5052 (270008)
TA-5052 (270039)
TA-3101 (270005)
TA-5102 (270011)
TA-5102 (270040)
TA-5102 (270043)
TA-4051 (270014)
TA-4052 (270007)
TA-4101 (270015)
TA-4102 (270010)
TA-6052 (270009)
TA-6102 (270012)
TA-6102 (270042)
TA-6102 (270044)
TA-7102 (270045)
TA-4172 (270072)
TA-5172 (270078)
TA-5172 (270073)
TA-5172 (270076)
TA-6172 (270080)
TA-6172 (270082)



TA-3101-DC
TA-4101-DC



TA-5102-DC



TA-2051
TA-2101
TA-3051
TA-3101
TA-4051
TA-4101



TA-3052
TA-4102
TA-5052
TA-5102
TA-5172
TA-6102
TA-6172
TA-7102

FEATURES

- Oil-less design
- Permanently lubricated and sealed bearings
- Cast iron cylinders
- PTFE piston rings and skirts
- Long, service free life
- Field service capability
- Totally enclosed motor
- Low vibration
- Quiet Operation
- Low profile
- Fifty-micron inlet filter(s)

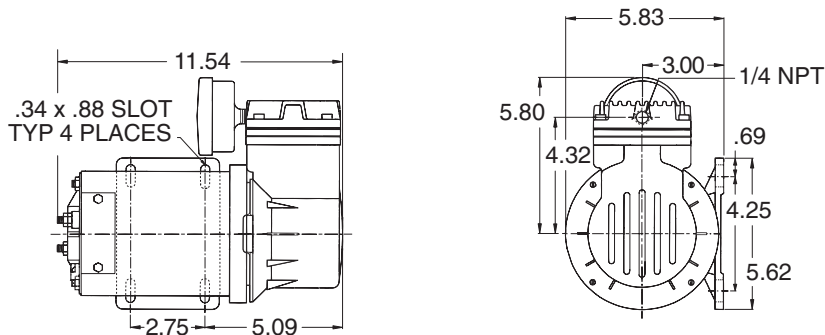
Thomas Division is an ISO 9001 registered company

THOMAS
A Gardner Denver Product

DC TA Performance Data

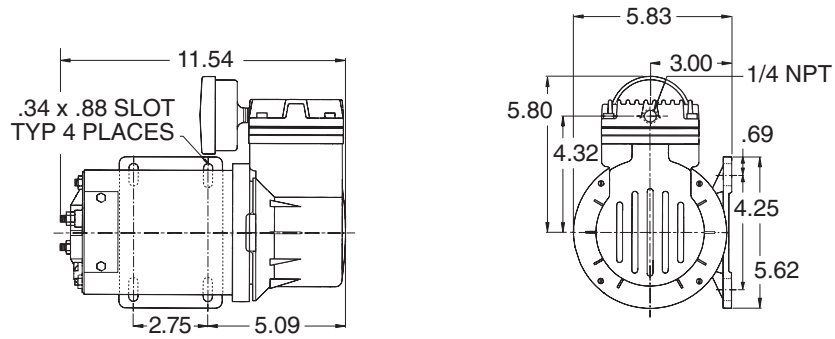
MODEL NUMBER		TA-3101-DC		TA-4101-DC		TA-4101-DC		TA-5102-DC	
MANUFACTURING CODE		270024		270025		270047		270058	
HEAD CONFIGURATION		Pressure		Pressure		Pressure		Pressure	
NUMBER OF CYLINDERS		1		1		1		2	
PRESSURE		Flow @ 12v DC		Flow @ 12v DC		Flow @ 24v DC		Flow @ 12v DC	
cfm @ psi	l/min @ bar								
psi	bar	cfm	l/min	cfm	l/min	cfm	l/min	cfm	l/min
0	0	1.70	48.1	2.20	62.2	2.20	62.2	4.06	115.0
5	.5	1.62	44.9	2.07	57.0	2.07	57.0	3.81	103.6
10	1.0	1.55	41.8	1.95	52.6	1.95	52.6	3.54	99.1
15	1.5	1.47	39.0	1.85	48.5	1.85	48.5	3.49	96.0
20	2.0	1.40	36.8	1.75	45.1	1.75	45.1	3.42	91.8
25	3.0	1.34	32.5	1.66	39.9	1.66	39.9	3.32	83.8
30	5.0	1.29	25.7	1.58	32.6	1.58	32.6	3.22	66.5
35	7.0	1.23	19.3	1.51	26.5	1.51	26.5	3.12	44.7
40		1.18		1.45		1.45		3.02	
50		1.09		1.34		1.34		2.86	
60		1.00		1.25		1.25		2.72	
70		.93		1.17		1.17		2.42	
80		.85		1.10		1.10		2.12	
90		.80		1.03		1.03		1.86	
100		.70		.95		.95		1.61	
MAX. PRESSURE		100 psi	7.0 bar	100 psi	7.0 bar	100 psi	7.0 bar	100 psi	7.0 bar
MAX. AMBIENT AIR TEMP.		(40°C)	104°F	(40°C)	104°F	(40°C)	104°F	(40°C)	104°F
MIN. AMBIENT START TEMP.		(0°C)	32°F	(0°C)	32°F	(0°C)	32°F	(0°C)	32°F
MAX. RESTART PRESSURE		100 psi	7.0 bar	100 psi	7.0 bar	100 psi	7.0 bar	100 psi	7.0 bar
MOTOR VOLTAGE/FREQUENCY		12V DC		12V DC		24V DC		12V DC	
HORSEPOWER		1/4		1/3		1/3		1/2	
MOTOR TYPE		Perm Magnet		Perm Magnet		Perm Magnet		Perm Magnet	
CURRENT AT RATED LOAD (AMPS)		26.0		28.0		18.5		45.0	
POWER AT RATED LOAD (WATTS)		330		340		440		230	
STARTING CURRENT (LOCKED ROTOR, AMPS)		156		198		122		540	
MIN. FULL LOAD SPEED (RPM)		1800		1800		1800		1800	
THERMAL PROTECTOR		No		No		No		No	
CAPACITOR VALUE									
NET WEIGHT		22 lb.	10 (kg)	22 lb.	10 (kg)	25 lb.	11 (kg)	40 lb.	18 (kg)
SHIP WEIGHT		24 lb.	11 (kg)	24 lb.	11 (kg)	28 lb.	13 (kg)	45 lb.	20 (kg)

TA-3101

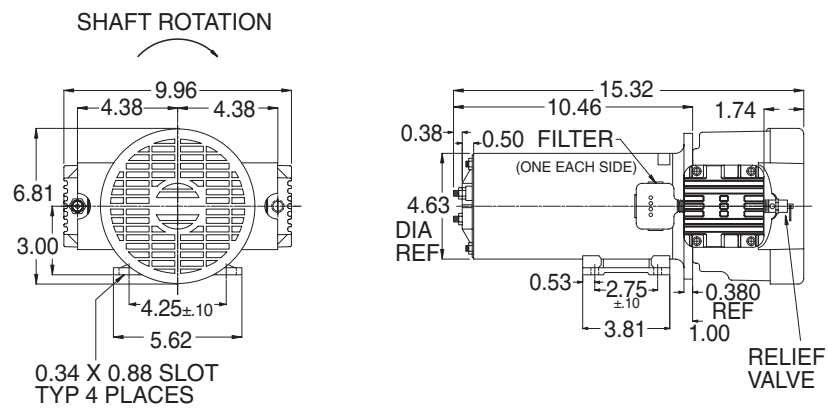


Dimensions

TA-4101



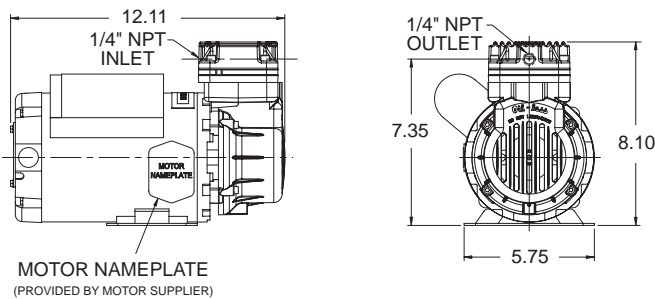
TA-5102



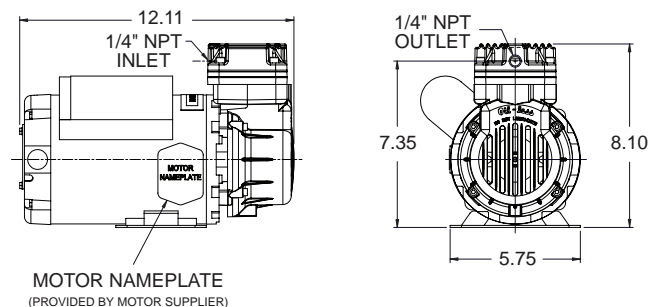
TA 1/4 HP Performance Data

MODEL NUMBER		TA-3051		TA-3052		TA-3101	
MANUFACTURING CODE		270002		270006		270005	
HEAD CONFIGURATION		Pressure		Pressure		Pressure	
NUMBER OF CYLINDERS		1		2		1	
PRESSURE		Flow @ 115/60		Flow @ 115/60		Flow @ 115/60	
CFM @ psi	l/min @ bar						
psi	bar	CFM	l/min	CFM	l/min	CFM	l/min
0	0	2.00	56.6	2.50	70.7	1.60	45.3
5	.5	1.92	53.4	2.40	66.6	1.50	41.1
10	1.0	1.85	50.3	2.30	62.5	1.40	37.6
15	1.5	1.77	47.6	2.20	58.6	1.32	34.7
20	2.0	1.70	45.5	2.10	55.3	1.25	32.3
25	3.0	1.65	41.4	2.02	49.6	1.19	28.3
30	5.0	1.60		1.94		1.13	22
35	7.0	1.55		1.87		1.08	16.7
40		1.50		1.80		1.03	
50		1.40		1.67		0.95	
60						0.85	
70						0.80	
80						0.71	
90						0.66	
100						0.60	
MAX. PRESSURE		50 psi	3.4 bar	50 psi	3.4 bar	100 psi	7.0 bar
MAX. AMBIENT AIR TEMP.		(40°C)	104°F	(40°C)	104°F	(40°C)	104°F
MIN. AMBIENT START TEMP.		(0°C)	32°F	(0°C)	32°F	(0°C)	32°F
MAX. RESTART PRESSURE		100 psi	3.4 bar	100 psi	3.4 bar	100 psi	7.0 bar
MOTOR VOLTAGE/FREQUENCY		115/230/60/1		115/230/60/1		115/230/60/1	
HORSEPOWER		1/4		1/4		1/4	
MOTOR TYPE		Capacitor Start		Capacitor Start		Capacitor Start	
CURRENT AT RATED LOAD (AMPS)		5.0 / 2.5		7.4 / 3.7		5.0 / 2.5	
POWER AT RATED LOAD (WATTS)		350		400		350	
STARTING CURRENT (LOCKED ROTOR, AMPS)		23.2 / 11.9		24.0 / 14.2		23.3 / 11.9	
MIN. FULL LOAD SPEED (RPM)		1725		1725		1725	
THERMAL PROTECTOR		Yes		Yes		Yes	
CAPACITOR VALUE		270 mfd		216 mfd		270 mfd	
NET WEIGHT		21 lb.	10 (kg)	33 lb.	15 (kg)	21 lb.	10 (kg)
SHIP WEIGHT		23 lb.	10 (kg)	36 lb.	16 (kg)	23 lb.	10 (kg)

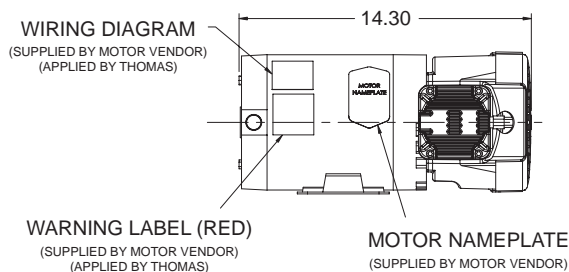
TA-3051



TA-3101



TA-3052

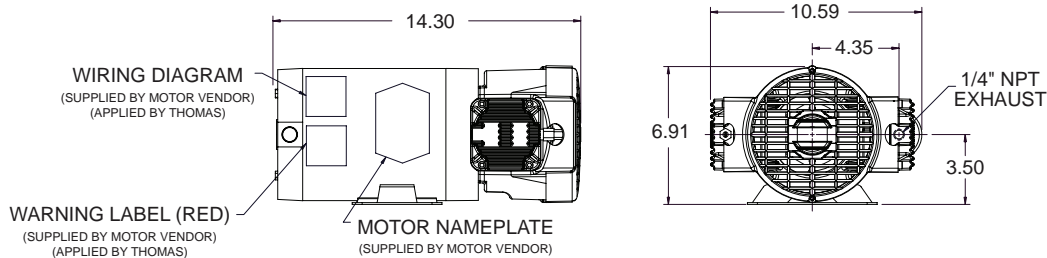


1/2 TA Performance Data

MODEL NUMBER		TA-5052		TA-5052		TA-5102		TA-5102		TA-5102	
MANUFACTURING CODE		270008		270039		270011		270040		270043	
HEAD CONFIGURATION		Pressure		Pressure		Pressure		Pressure		Pressure	
NUMBER OF CYLINDERS		2		2		2		2		2	
PRESSURE		Flow @ 115/60		Flow @ 220/50		Flow @ 115/60		Flow @ 220/50		Flow @ 230/60	
CFM @ psi	l/min @ bar										
psi	bar	CFM	l/min	CFM	l/min	CFM	l/min	CFM	l/min	CFM	l/min
0	0	4.30	121.7	3.40	96.2	3.20	90.6	2.55	72.2	3.20	90.6
5	.5	4.17	116.5	3.30	92.1	3.05	84.4	2.42	66.9	3.05	84.4
10	1.0	4.00	110.8	3.20	88.0	2.90	79.3	2.30	63.0	2.90	79.3
15	1.5	4.05	104.9	3.10	83.9	2.79	74.9	2.22	60.0	2.79	74.9
20	2.0	3.90	100.2	3.00	79.8	2.68	71.2	2.15	57.0	2.68	71.2
25	3.0	3.75	91.4	2.90	73.5	2.59	66.5	2.07	52.8	2.59	66.5
30	5.0	3.63		2.80		2.50	55.4	2.00	44.5	2.50	55.4
35	7.0	3.52		2.72		2.45	46.2	1.95	36.3	2.45	46.2
40		3.41		2.65		2.40		1.90		2.40	
50		3.30		2.50		2.26		1.80		2.26	
60						2.10		1.70		2.10	
70						1.98		1.60		1.98	
80						1.90		1.50		1.90	
90						1.75		1.40		1.75	
100						1.65		1.30		1.65	
MAX. PRESSURE		50 psi	3.4 bar	50 psi	3.4 bar	100 psi	7.0 bar	100 psi	7.0 bar	100 psi	7.0 bar
MAX. AMBIENT AIR TEMP.		(40°C)	104°F	(40°C)	104°F	(40°C)	104°F	(40°C)	104°F	(40°C)	104°F
MIN. AMBIENT START TEMP.		(0°C)	32°F	(0°C)	32°F	(0°C)	32°F	(0°C)	32°F	(0°C)	32°F
MAX. RESTART PRESSURE		100 psi	3.4 bar	50 psi	3.4 bar	100 psi	7.0 bar	100 psi	7.0 bar	100 psi	7.0 bar
MOTOR VOLTAGE/FREQUENCY		115/230/60/1		110/220-240/50/1		115/230/60/1		110/220-240/50/1		190/380/50 208-230/460/60/3	
HORSEPOWER		1/2		1/2		1/2		1/2		1/2	
MOTOR TYPE		Capacitor Start		Capacitor Start		Capacitor Start		Capacitor Start		Polyphase	
CURRENT AT RATED LOAD (AMPS)		7.2 / 3.6		8.2 / 4.1 / 4.3		7.2 / 3.6		8.2 / 4.1 / 4.3		2.0 / 1.9 / .95	
POWER AT RATED LOAD (WATTS)		760		670		760		670		628	
STARTING CURRENT (LOCKED ROTOR, AMPS)		37.0 / 19.7		39.0 / 19.5		37.0 / 19.7		39.0 / 19.5		12.5 / 12.0 / 6.0	
MIN. FULL LOAD SPEED (RPM)		1725		1425		1725		1425		1725 / 1425	
THERMAL PROTECTOR		Yes		Yes		Yes		Yes		No	
CAPACITOR VALUE		324 mfd		324 mfd		324 mfd		324 mfd			
NET WEIGHT		37 lb.	17 (kg)	37 lb.	17 (kg)	37 lb.	17 (kg)	37 lb.	17 (kg)	37 lb.	17 (kg)
SHIP WEIGHT		40 lb.	18 (kg)	40 lb.	18 (kg)	40 lb.	18 (kg)	40 lb.	18 (kg)	40 lb.	18 (kg)

TA-5052

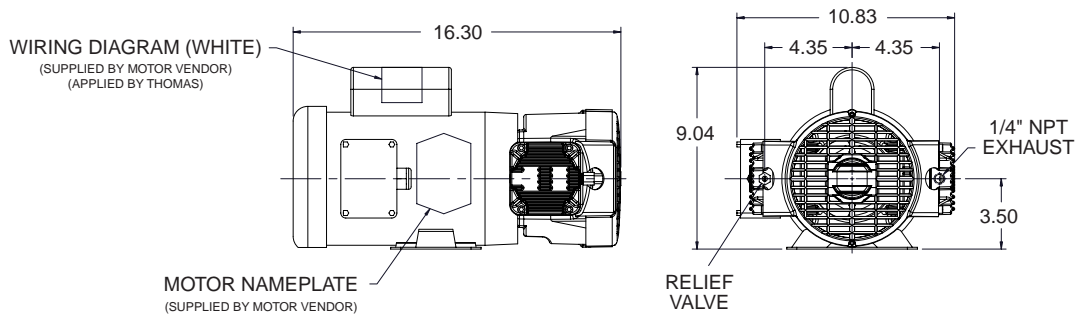
270008



Dimensions

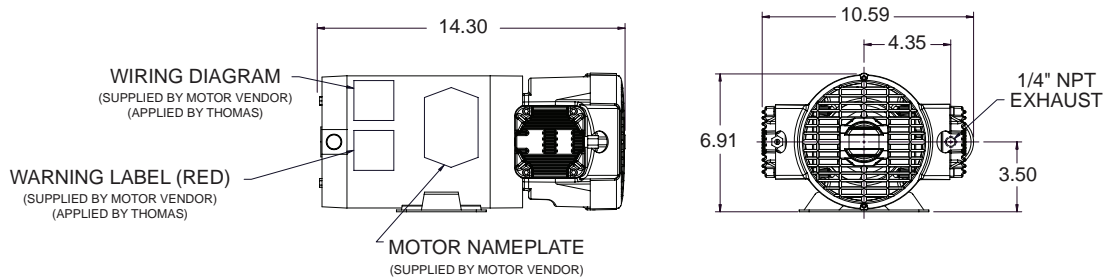
TA-5052

270039



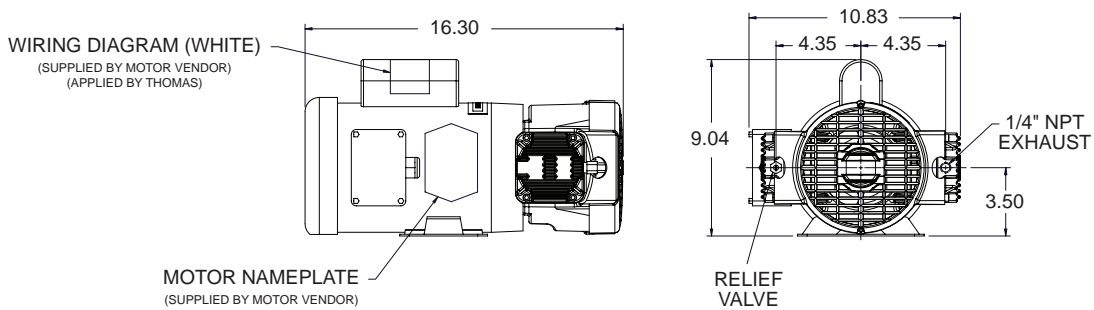
TA-5102

270011



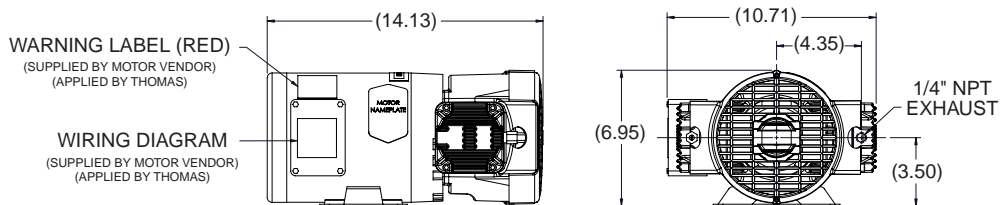
TA-5102

270040



TA-5102

270043

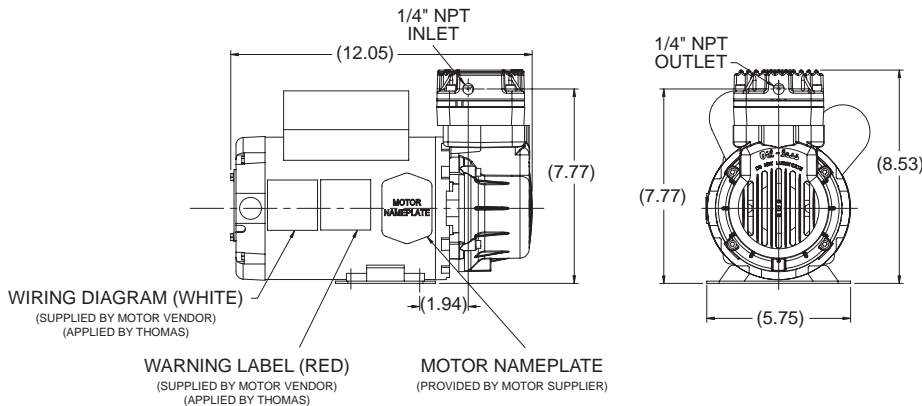


1/3 TA Performance Data

MODEL NUMBER		TA-4051		TA-4052		TA-4101		TA-4102	
MANUFACTURING CODE		270014		270007		270015		270010	
HEAD CONFIGURATION		Pressure		Pressure		Pressure		Pressure	
NUMBER OF CYLINDERS		1		2		1		2	
PRESSURE		Flow @ 115/60		Flow @ 115/60		Flow @ 115/60		Flow @ 115/60	
CFM @ psi	l/min @ bar								
psi	bar	CFM	l/min	CFM	l/min	CFM	l/min	CFM	l/min
0	0	2.80	71.4	3.30	93.4	2.20	62.2	2.60	73.6
5	.5	2.72	61.4	3.17	88.2	2.12	59.1	2.50	69.5
10	1.0	2.65	59.2	3.05	83.0	2.05	56.0	2.40	65.4
15	1.5	2.55	54.6	2.92	78.2	1.97	53.1	2.30	61.3
20	2.0	2.45	50.7	2.80	74.1	1.90	50.4	2.20	57.1
25	3.0	2.36	44.9	2.70	65.9	1.83	45.6	2.10	49.9
30	5.0	2.28		2.60		1.77	37.5	2.00	40.3
35	7.0	2.19		2.50		1.71	30.8	1.90	33.6
40		2.10		2.40		1.65		1.80	
50		1.93		2.20		1.54		1.70	
60						1.45		1.60	
70						1.35		1.45	
80						1.25		1.35	
90						1.18		1.27	
100						1.10		1.20	
MAX. PRESSURE		50 psi	3.4 bar	50 psi	3.4 bar	100 psi	7.0 bar	100 psi	7.0 bar
MAX. AMBIENT AIR TEMP.		(40°C)	104°F	(40°C)	104°F	(40°C)	104°F	(40°C)	104°F
MIN. AMBIENT START TEMP.		(0°C)	32°F	(0°C)	32°F	(0°C)	32°F	(0°C)	32°F
MAX. RESTART PRESSURE		100 psi	3.4 bar	100 psi	3.4 bar	100 psi	7.0 bar	100 psi	7.0 bar
MOTOR VOLTAGE/FREQUENCY		115/230/60/1		115/230/60/1		115/230/60/1		115/230/60/1	
HORSEPOWER		1/3		1/3		1/3		1/3	
MOTOR TYPE		Cap. Run / Cap. Start		Capacitor Start		Cap. Run / Cap. Start		Capacitor Start	
CURRENT AT RATED LOAD (AMPS)		3.5		8.0 / 4.0		3.5		8.0 / 4.0	
POWER AT RATED LOAD (WATTS)		430		450		430		450	
STARTING CURRENT (LOCKED ROTOR, AMPS)		23.2		34.8 / 18.0		23.2		34.8 / 18.0	
MIN. FULL LOAD SPEED (RPM)		1725		1725		1725		1725	
THERMAL PROTECTOR		Yes		Yes		Yes		Yes	
CAPACITOR VALUE		243 / 20 mfd		243 mfd		243 / 20 mfd		243 mfd	
NET WEIGHT		25 lb.	11 (kg)	36 lb.	16 (kg)	24 lb.	11 (kg)	36 lb.	16 (kg)
SHIP WEIGHT		28 lb.	13 (kg)	39 lb.	18 (kg)	27 lb.	12 (kg)	39 lb.	18 (kg)

TA-4051

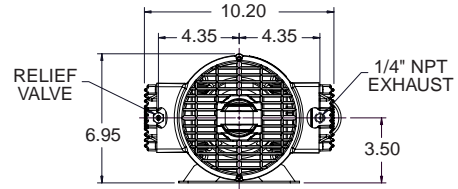
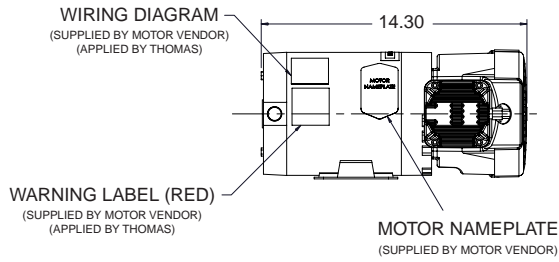
270014



Dimensions

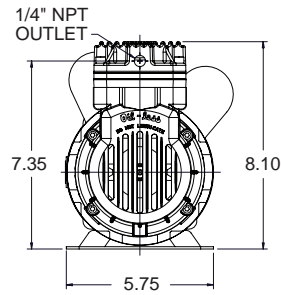
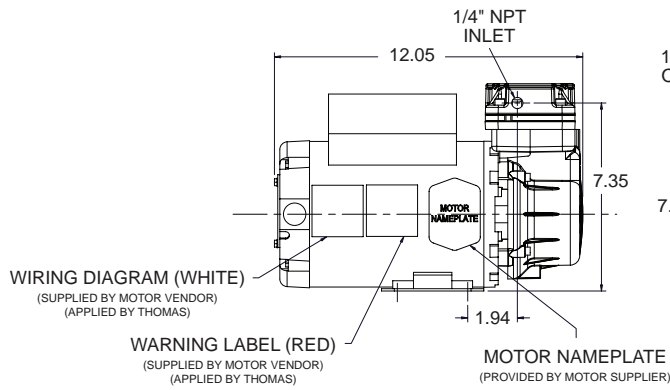
TA-4052

270007



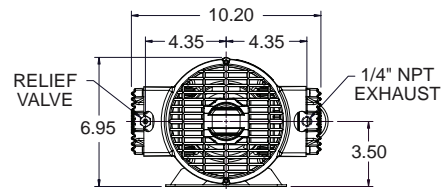
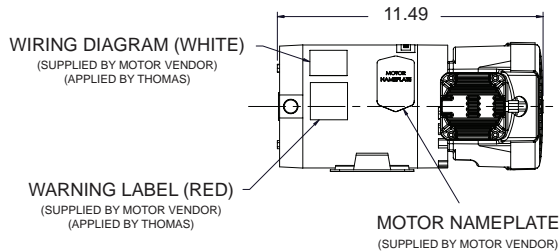
TA-4101

270015



TA-4102

270010

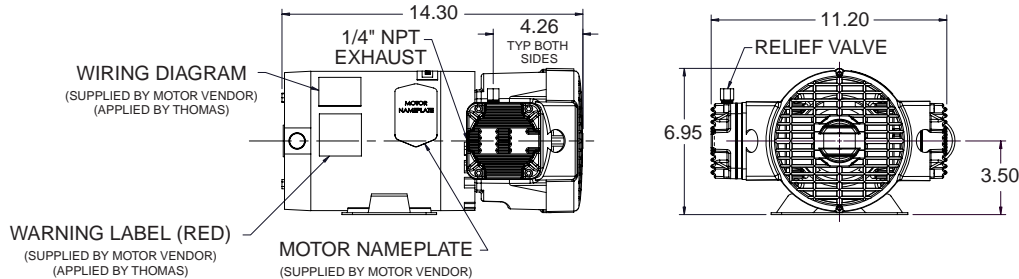


1/3, 1/2, 3/4 TA Performance Data

MODEL NUMBER		TA-4172		TA-5172		TA-5172		TA-5172		TA-6172		TA-6172	
MANUFACTURING CODE		270072		270073		270076		270078		270080		270082	
HEAD CONFIGURATION		Pressure		Pressure		Pressure		Pressure		Pressure		Pressure	
NUMBER OF CYLINDERS		2		2		2		2		2		2	
PRESSURE		Flow @ 115/60		Flow @ 115/60		Flow @ 230/60		Flow @ 220/50		Flow @ 115/60		Flow @ 230/60	
cfm @ psi	l/min @ bar												
psi	bar	cfm	l/min	cfm	l/min	cfm	l/min	cfm	l/min	cfm	l/min	cfm	l/min
0	0	1.40	39.6	1.80	50.9	1.80	50.9	1.43	40.4	2.40	67.9	2.40	67.9
10	1.0	1.38	38.5	1.79	50.4	1.79	50.4	1.42	39.9	2.39	67.1	2.39	67.1
20	2.0	1.35	37.4	1.78	50.1	1.78	50.1	1.41	39.6	2.37	66.8	2.37	66.8
25	3.0	1.33	36.5	1.77	49.5	1.77	49.5	1.40	39.2	2.36	66.1	2.36	66.1
30	5.0	1.32	34.4	1.77	48.0	1.77	48.0	1.40	38.4	2.36	64.9	2.36	64.9
35	7.0	1.31	32.5	1.76	46.5	1.76	46.5	1.39	37.3	2.35	63.5	2.35	63.5
40	8.0	1.30	31.9	1.75	45.2	1.75	45.2	1.39	36.7	2.34	62.2	2.34	62.2
50	9.0	1.27	31.1	1.75	44.4	1.75	44.4	1.38	35.9	2.33	61.4	2.33	61.4
60	10.0	1.25	30.0	1.72	43.3	1.72	43.3	1.37	34.8	2.31	60.3	2.31	60.3
70	11.0	1.22		1.70		1.70		1.36		2.30		2.30	
80	12.0	1.20		1.69		1.69		1.35		2.28		2.28	
90		1.18		1.67		1.67		1.34		2.26		2.26	
100		1.15		1.65		1.65		1.32		2.25		2.25	
110		1.14		1.62		1.62		1.31		2.22		2.22	
120		1.12		1.61		1.61		1.30		2.21		2.21	
130		1.10		1.60		1.60		1.28		2.20		2.20	
140		1.08		1.58		1.58		1.26		2.18		2.18	
150													
160													
175													
MAX. PRESSURE		175 psi	12 bar	175 psi	12 bar	175 psi	12 bar	175 psi	12 bar	175 psi	12 bar	175 psi	12 bar
MAX. AMBIENT AIR TEMP.		(40°C)	104°F	(40°C)	104°F	(40°C)	104°F	(40°C)	104°F	(40°C)	104°F	(40°C)	104°F
MIN. AMBIENT START TEMP.		(0°C)	32°F	(0°C)	32°F	(0°C)	32°F	(0°C)	32°F	(0°C)	32°F	(0°C)	32°F
MAX. RESTART PRESSURE		175 psi	12 bar	175 psi	12 bar	175 psi	12 bar	175 psi	12 bar	175 psi	12 bar	175 psi	12 bar
MOTOR VOLTAGE/FREQUENCY		115/230/60/1		115/230/60/1		190/380/50/3 208-230/460/60/3		110/220-240/50/1		115/230/60/1		190/380/50/3 208-230/460/60/3	
HORSEPOWER		1/3		1/2		1/2		1/2		3/4		3/4	
MOTOR TYPE		Capacitor Start		Capacitor Start		Polyphase		Capacitor Start		Capacitor Start		Polyphase	
CURRENT AT RATED LOAD (AMPS)		8.0 / 4.0 A		7.3 / 3.6 A		2.0 / 1.9 / .95 A		8.2 / 4.1 / 4.3 A		10.6 / 5.3 A		2.8 / 2.8 / 1.4 A	
POWER AT RATED LOAD (WATTS)		450 W		760 W		628 W		670 W		825 W		800 W	
STARTING CURRENT (LOCKED ROTOR, AMPS)		34.8 / 18.0 A		34.8 / 18.0 A		12.5 / 12.0 / 6.0 A		39.0 / 19.5		60.0 / 30.0 A		17.0 / 17.0 / 8.5 A	
MIN. FULL LOAD SPEED (RPM)		1725 rpm		1725 rpm		1725 / 1425 rpm		1425 rpm		1725 rpm		1725 / 1425 rpm	
THERMAL PROTECTOR		Yes		Yes		No		Yes		Yes		No	
CAPACITOR VALUE		243 mfd		324 mfd				324 mfd		378 mfd			
NET WEIGHT		45 lb.	20.4 (kg)	51 lb.	23.1 (kg)	51 lb.	23.1 (kg)	51 lb.	23.1 (kg)	56 lb.	25.4 (kg)	56 lb.	25.4 (kg)
SHIP WEIGHT		47 lb.	21.3 (kg)	51 lb.	23.1 (kg)	51 lb.	23.1 (kg)	51 lb.	23.1 (kg)	60 lb.	27.2 (kg)	60 lb.	27.2 (kg)

TA-4172

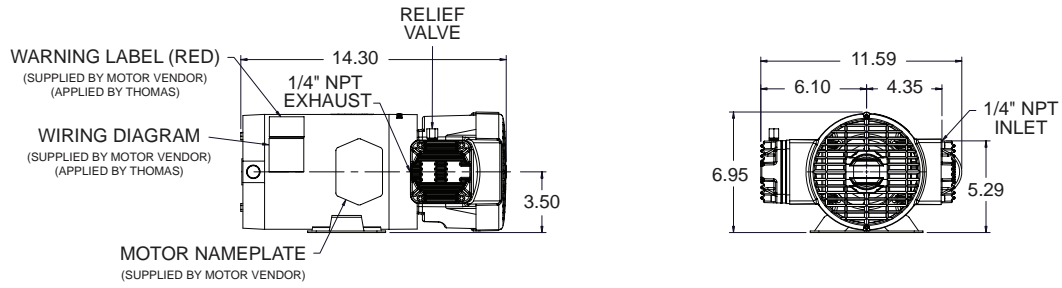
270072



Dimensions

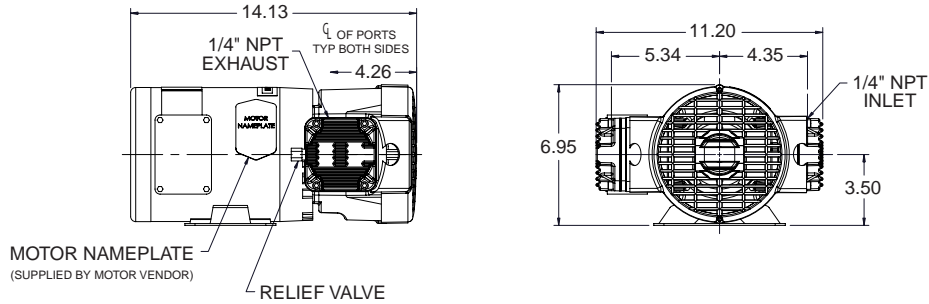
TA-5172

270073



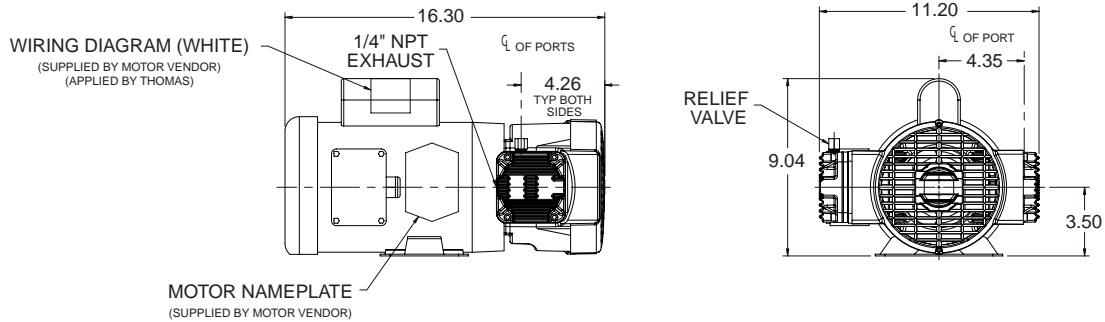
TA-5172

270076



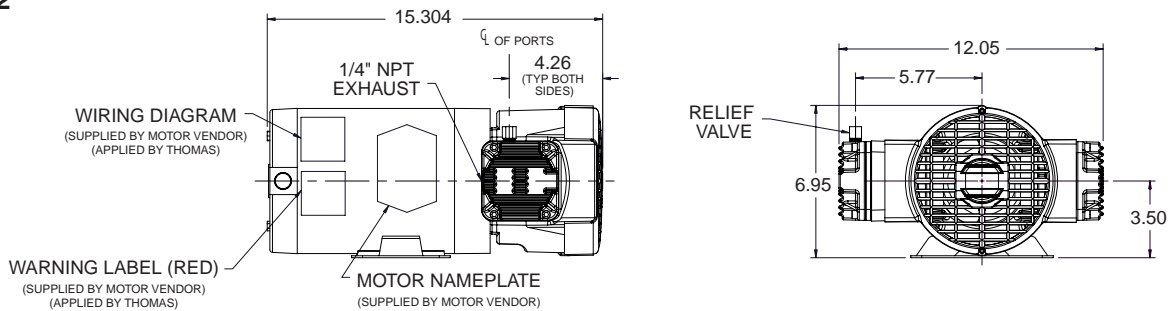
TA-5172

270078



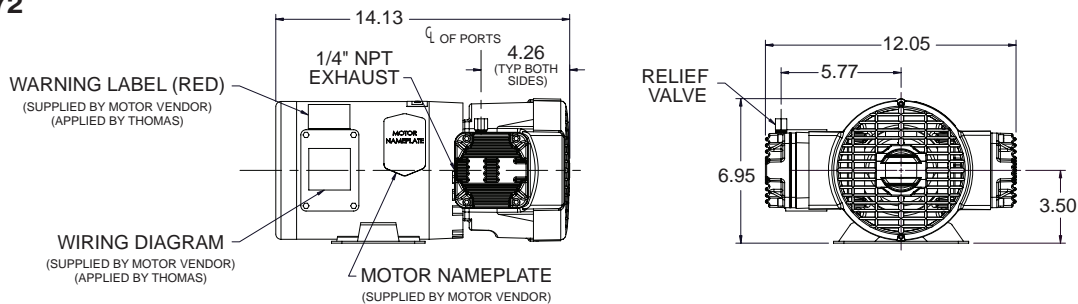
TA-6172

270080



TA-6172

270082

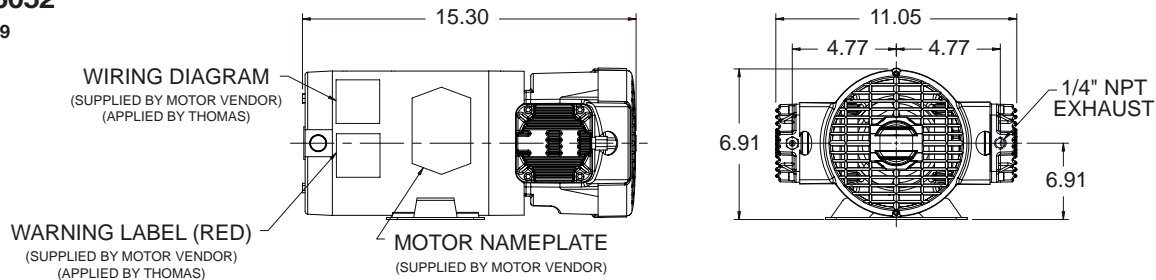


3/4, 1.0 TA Performance Data

MODEL NUMBER		TA-6052		TA-6102		TA-6102		TA-6102		TA-7102	
MANUFACTURING CODE		270009		270012		270042		270044		270045	
HEAD CONFIGURATION		Pressure		Pressure		Pressure		Pressure		Pressure	
NUMBER OF CYLINDERS		2		2		2		2		2	
PRESSURE		Flow @ 115/60		Flow @ 115/60		Flow @ 220/50		Flow @ 230/60		Flow @ 115/60	
CFM @ psi	l/min @ bar										
psi	bar	CFM	l/min	CFM	l/min	CFM	l/min	CFM	l/min	CFM	l/min
0	0	5.20	147.2	4.30	121.7	3.45	97.6	4.30	121.7	5.40	152.9
5	.5	5.05	141.0	4.15	115.5	3.32	92.4	4.15	115.5	5.30	148.7
10	1.0	4.90	135.4	4.00	109.9	3.20	88.0	4.00	109.9	5.20	144.6
15	1.5	4.77	130.3	3.87	104.4	3.10	83.9	3.87	104.4	5.10	140.5
20	2.0	4.65	125.2	3.75	100.0	3.00	79.8	3.75	100.0	5.00	136.4
25	3.0	4.52	119.8	3.58	91.9	2.90	73.5	3.58	91.9	4.90	128.2
30	5.0	4.40		3.52	76.7	2.80	61.2	3.52	76.7	4.80	111.0
35	7.0	4.32		3.41	67.7	2.72	53.5	3.41	67.7	4.70	92.4
40		4.25		3.30		2.65		3.30		4.60	
50		4.20		3.15		2.50		3.15		4.40	
60				2.95		2.35		2.95		4.20	
70				2.75		2.20		2.75		3.98	
80				2.60		2.05		2.60		3.75	
90				2.45		1.95		2.45		3.58	
100				2.40		1.90		2.40		3.30	
MAX. PRESSURE		50 psi	3.4 bar	100 psi	7.0 bar	100 psi	7.0 bar	100 psi	7.0 bar	100 psi	7.0 bar
MAX. AMBIENT AIR TEMP.		(40°C)	104°F	(40°C)	104°F	(40°C)	104°F	(40°C)	104°F	(40°C)	104°F
MIN. AMBIENT START TEMP.		(0°C)	32°F	(0°C)	32°F	(0°C)	32°F	(0°C)	32°F	(0°C)	32°F
MAX. RESTART PRESSURE		100 psi	3.4 bar	100 psi	7.0 bar	100 psi	7.0 bar	100 psi	7.0 bar	100 psi	7.0 bar
MOTOR VOLTAGE/FREQUENCY		115/230/60/1		115/230/60/1		110/220-240/50/1		190/380/50 208-230/460/60/3		115/230/60/1	
HORSEPOWER		3/4		3/4		3/4		3/4		1.0	
MOTOR TYPE		Capacitor Start		Capacitor Start		Cap. Start / Cap. Run		Polyphase		Cap. Start / Cap. Run	
CURRENT AT RATED LOAD (AMPS)		10.6 / 5.3		10.6 / 5.3		7.4 / 3.7 / 3.6		2.8 / 2.8 / 1.4		12.0 / 8.0	
POWER AT RATED LOAD (WATTS)		825		825		850		800		1625	
STARTING CURRENT (LOCKED ROTOR, AMPS)		60.0 / 30.0		60.0 / 30.0		45.0 / 24.0 / 26.0		17.0 / 17.0 / 8.5		65.0 / 33.0	
MIN. FULL LOAD SPEED (RPM)		1725		1725		1425		1725 / 1425		1725	
THERMAL PROTECTOR		Yes		Yes		Yes		No		Yes	
CAPACITOR VALUE		378 mfd		378 mfd		324/15 mfd				400/20 mfd	
NET WEIGHT		45 lb.	20 (kg)	45 lb.	20 (kg)	45 lb.	20 (kg)	45 lb.	20 (kg)	61 lb.	28 (kg)
SHIP WEIGHT		48 lb.	22 (kg)	48 lb.	22 (kg)	48 lb.	22 (kg)	48 lb.	22 (kg)	68 lb.	31 (kg)

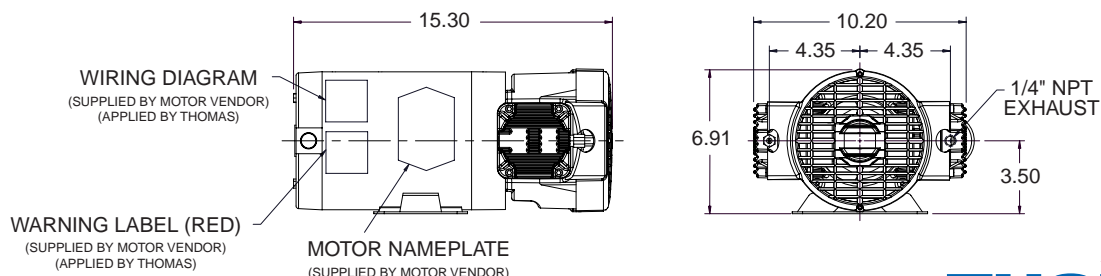
TA-6052

270009



TA-6102

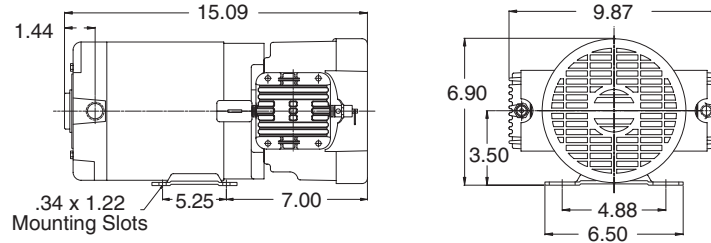
270012



Dimensions

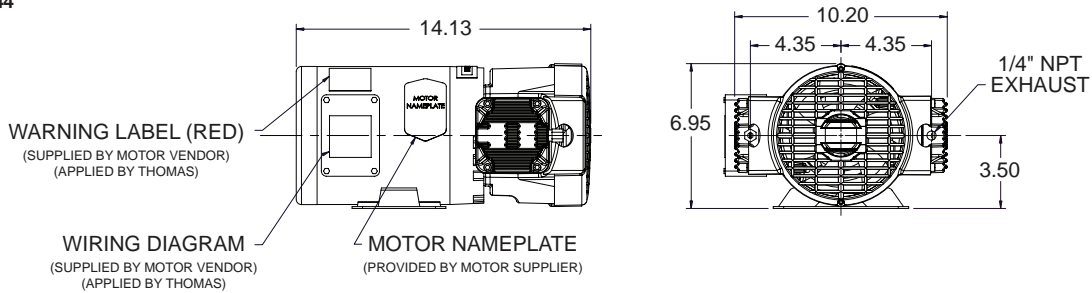
TA-6102

270042



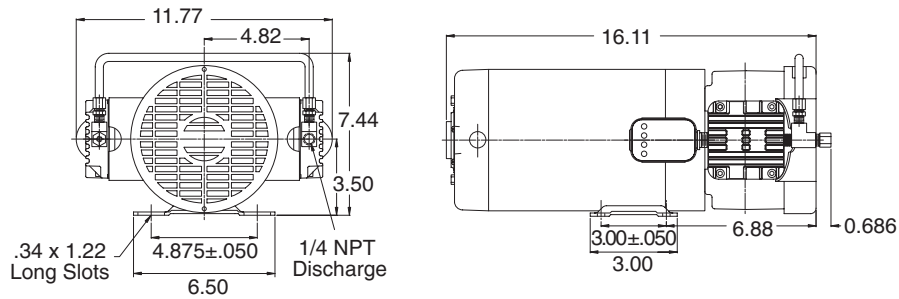
TA-6102

270044



TA-7102

270045



THOMAS
A Gardner Denver Product

The information presented in this material is based on technical data and test results of nominal units. It is believed to be accurate and reliable and is offered as an aid to help in the selection of Thomas products. It is the responsibility of the user to determine the suitability of the product for his intended use and the user assumes all risk and liability whatsoever in connection therewith. Thomas Industries does not warrant, guarantee or assume any obligation or liability in connection with this information.

NOTE: Models pictured are representative of the series and do not represent a specific model number. Consult factory for detailed physical description.